



LINCE 150
RY-150LC



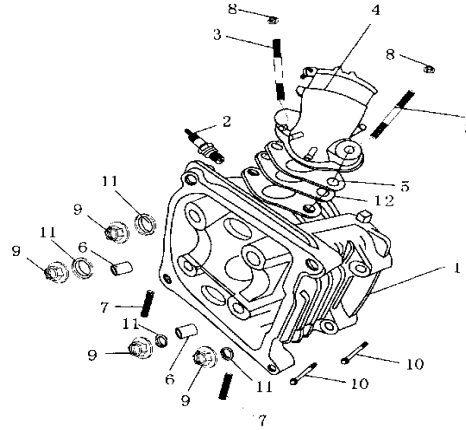
SPARES

ENGINE PARTS

INDEX

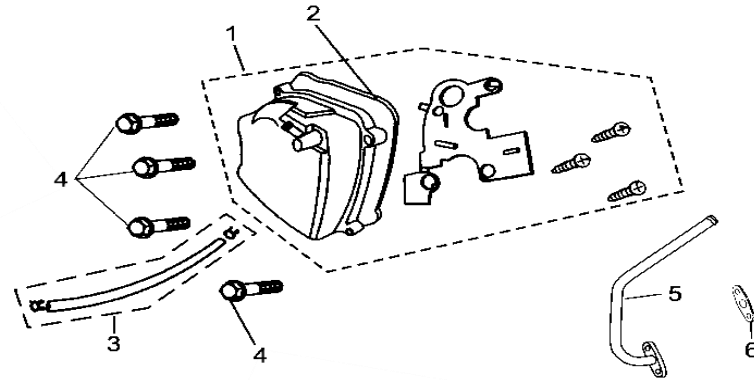
ASSY NO.	DESCRIPTION	PAGE NO.
A1	CYLINDER HEAD ASSY	1
A2	CYLINDER HEAD COVER	2
A3	CYLINDER BLOCK	3
A4	VALVE ASSY	4-5
A5	CAM SHAFT ASSY	6
A6	CRANKSHAFT ASSY	7
A7	CRANKCASE ASSY	8-9
A8	OIL PUMP ASSY	10
A9	DRIVEN PULLEY ASSY	11
A10	KICK STARTER ASSY	12-13
A11	GEAR SHAFT ASSY	14-15
A12	LEFT CRANK CASE COVER	16
A13	STARTING MOTOR ASSY	17
A14	MAGNETO ASSY	18-19
A15	FAN COVER ASSY	20
A16	SECONDARY AIR VALVE ASSY	21

A1 - CYLINDER HEAD ASSY



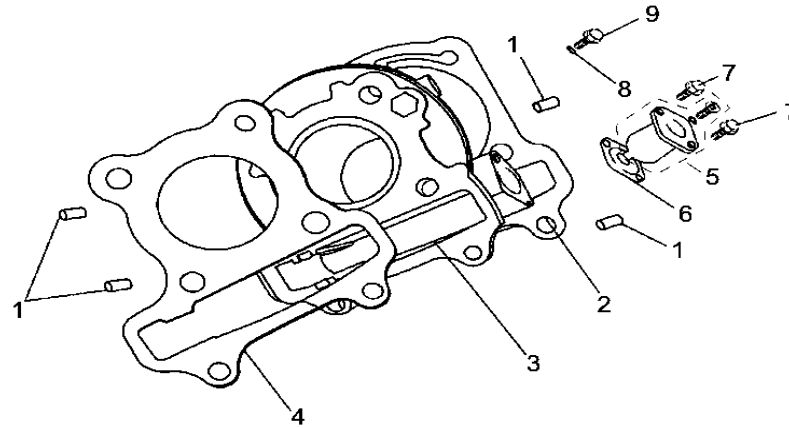
S.NO.	PART CODE	DESCRIPTION	QUANTITY
A1 - 1	12200-GY57-0000	CYLINDER HEAD COMP	1
A1 - 2	98056-GY57-0000	SPARK PLUG	1
A1 - 3	90033-GY57-0000	STUD M6*62	2
A1 - 4	17110-GY57-0000	INTAKE PIPE	1
A1 - 5	16211-GY57-0000	INSULATOR, CARBURETOR	1
A1 - 6	94301-10160-000	DOWEL PIN 10*16	2
A1 - 7	92900-GY57-0000	STUD M6*32	2
A1 - 8	94050-06080-000	FLANGE NUT M6	2
A1 - 9	94050-08080-000	FLANGE NUT M8	4
A1 - 10	96001-06100-080	FLANGE BOLT M6*100	2
A1 - 11	90465-GY57-0000	WASHER Ø8	4
A1 - 12	16201-GY57-0000	HEAT INSULATOR GASKET, INTAKE PIPE	1

A2 - CYLINDER HEAD COVER



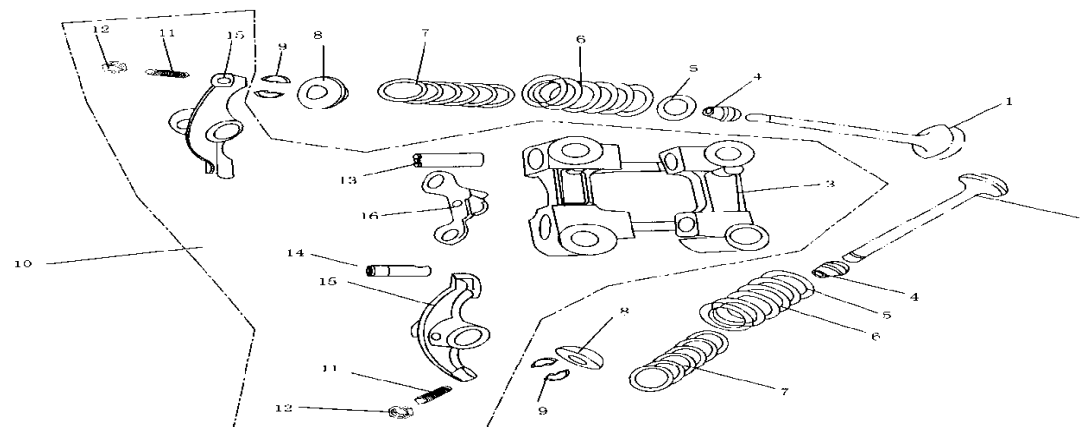
S.NO.	PART CODE	DESCRIPTION	QUANTITY
A2 - 1	12310-GY57-0000	CYLINDER HEAD COVER	1
A2 - 2	12391-GY57-0000	GASKET	1
A2 - 3	11211-GY57-0000	VENT PIPE	1
A2 - 4	95701-06025-080	FLANGE BOLT M6*25	4
A2 - 5	18647-GY57-0000	PIPE, AIR FEED	1
A2 - 6	18645-GY57-0000	WASHER, PIPE AIR FEED	1

A3 - CYLINDER BLOCK



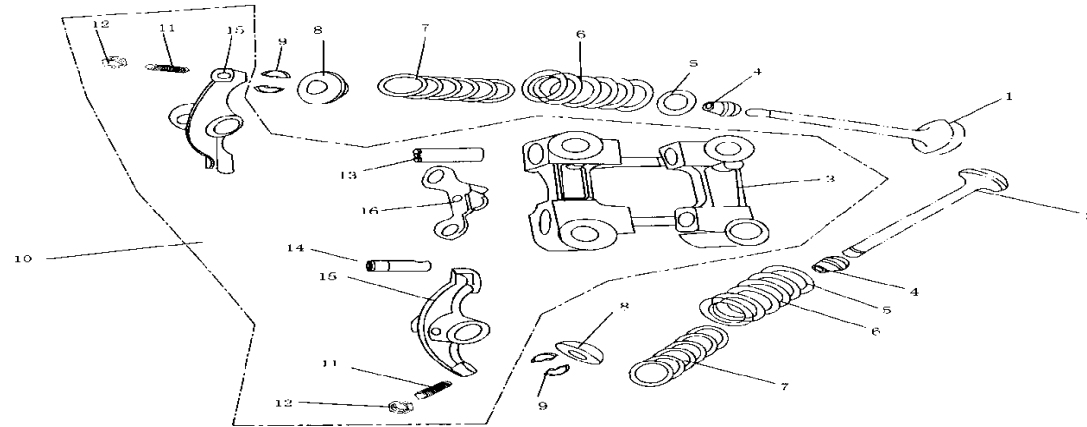
S.NO.	PART CODE	DESCRIPTION	QUANTITY
A3 - 1	94301-10160-000	DOWEL PIN 10*16	4
A3 - 2	12191-GY57-0000	GASKET,CYLINDER	1
A3 - 3	12100-GY57-0000	CYLINDER BLOCK	1
A3 - 4	12251-GY57-000	GASKET,CYLINDER HEAD	1
A3 - 5	14520-GY57-0000	CHAIN ADJUSTOR ASSY	1
A3 - 6	14523-GY57-0000	GASKET,CHAIN ADJUSTOR	1
A3 - 7	96001-06025-000	FLANGE BOLT M6*25	2
A3 - 8	12102-GY57-0000	SEALING WASHER Φ6	1
A3 - 9	96001-06014-000	FLANGE BOLT M6*14	1

A4 - VALVE ASSY



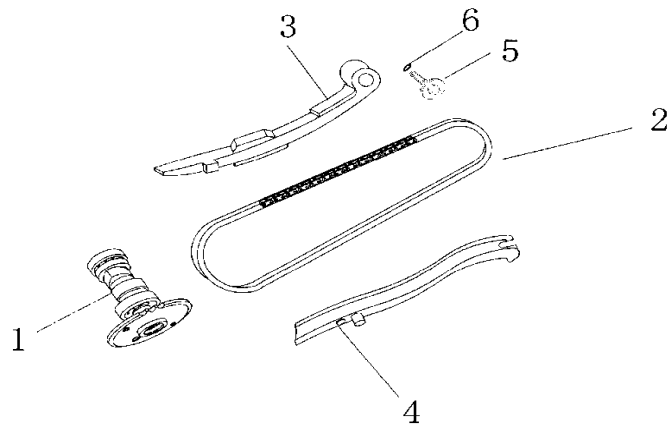
S.NO.	PART CODE	DESCRIPTION	QUANTITY
A4 - 1	14711-GY57-0000	INLET VALVE	1
A4 - 2	14721-GY57-0000	EXHAUST VALVE	1
A4 - 3	12211-GY57-0000	ROCKER ARM BASE	1
A4 - 4	12209-GY57-0000	OIL SEAL,VALVE	2
A4 - 5	14775-GY57-0000	SEAT,VALVE SPRING	2
A4 - 6	14751-GY57-0000	VALVE SPRING, OUTER	2
A4 - 7	14761-GY57-0000	VALVE SPRING, INNER	2
A4 - 8	14771-GY57-0000	RETAINER, VALVE SPRING	2
A4 - 9	14781-GY57-0000	CLIP,VALVE	4
A4 - 10	1220A-GY57-0000	ROCKER ARM ASSY	2
A4 - 11	90012-GY57-0000	SCREW, VALVE CLEARANCE ADJUSTMENT	2
A4 - 12	90206-GY57-0000	NUT,VALVE CLEARANCE ADJUSTMENT	2
A4 - 13	14450-GY57-0000	SHAFT,ROCKER ARM (EXHAUST VALVE)	1
A4 - 14	14452-GY57-0000	SHAFT,ROCKER ARM (INLET VALVE)	1
A4 - 15	14431-GY57-0000	ROCKER ARM	2

A4 - VALVE ASSY



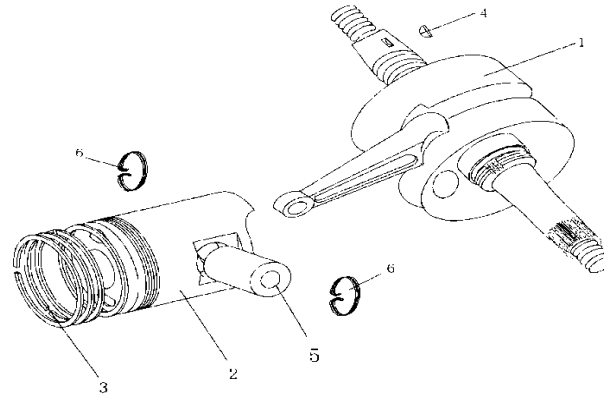
S.NO.	PART CODE	DESCRIPTION	QUANTITY
A4 - 16	14460-GY57-0000	LOCK PLATE COMP.	1

A5 - CAM SHAFT ASSY



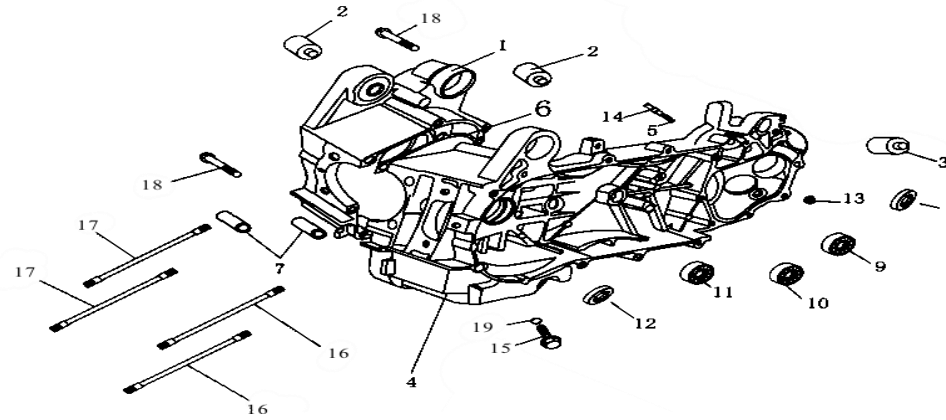
S.NO.	PART CODE	DESCRIPTION	QUANTITY
A5 - 1	14100-GY57-0000	CAM SHAFT	1
A5 - 2	14401-GY57-0000	TIMING CHAIN	1
A5 - 3	14510-GY57-0000	CHAIN TENSIONER	1
A5 - 4	14610-GY57-0000	ROD, CHAIN GUIDE	1
A5 - 5	14531-GY57-0000	SCERW,CHAIN TENSIONER	1
A5 - 6	90308-GY57-0000	O-RING 15*1.5	1

A6 - CRANKSHAFT ASSY



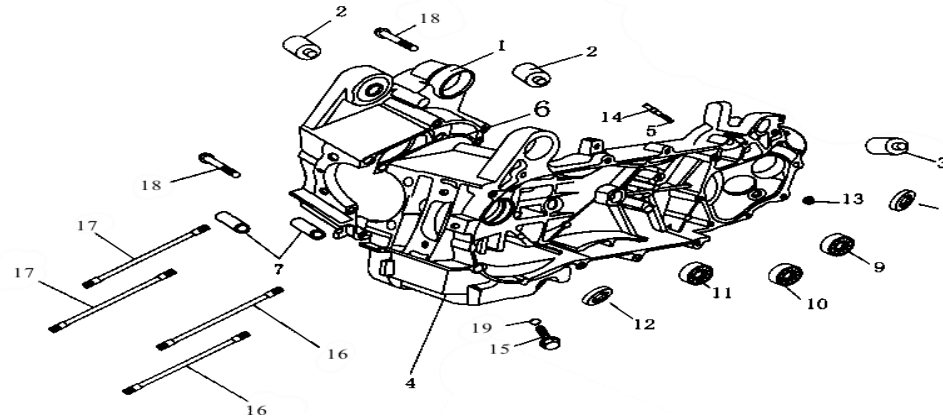
S.NO.	PART CODE	DESCRIPTION	QUANTITY
A6 - 1	13000-GY57-0000	CRANKSHAFT & CONNECTING ROD ASSY	1
A6 - 2	13101-GY57-0000	PISTON	1
A6 - 3	13011-GY57-0000	PISTON RING COMP	1
A6 - 4	90701-GY57-0000	WOODRUFF KEY	2
A6 - 5	13111-GY57-0000	PISTON PIN	1
A6 - 6	94601-GY57-0000	RING,PISTON PIN	2

A7 - CRANKCASE ASSY

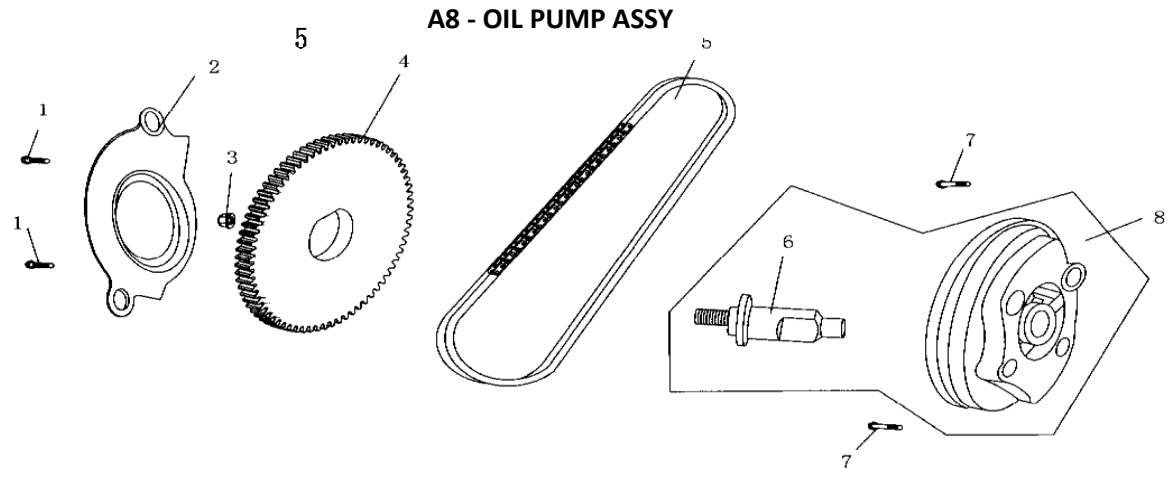


S.NO.	PART CODE	DESCRIPTION	QUANTITY
A7 - 1	11100-GY57-0000	RIGHT CRANKCASE COMP	1
A7 - 2	11102-GY57-0000	BUSH,ENGINE HANGER	2
A7 - 3	11203-GY57-0000	BUSH,LOWER SHOCK ABSORBER,RR	1
A7 - 4	11200-GY57-0000	LEFT CRANK CASE COMP	1
A7 - 5	91301-GY57-0000	O-RING 7.5*1.5	1
A7 - 6	11392-GY57-0000	GASKET,CRANKCASE	1
A7 - 7	94301-08140-000	DOWEL PIN 8*14	2
A7 - 8	91255-GY57-0000	OIL SEAL 27*42*7	1
A7 - 9	91009-GY57-0000	BEARING 6004	1
A7 - 10	91003-GY57-0000	BEARING 6301	1
A7 - 11	96100-60020-000	BEARING 6002	1
A7 - 12	91202-GY57-0000	OIL SEAL 19.8*30*5	1
A7 - 13	90309-GY57-0000	LOCKNUT M8	1
A7 - 14	11204-GY57-0000	PIN	1
A7 - 15	9052A-GY57-0000	DRAIN PLUG	1

A7 - CRANKCASE ASSY

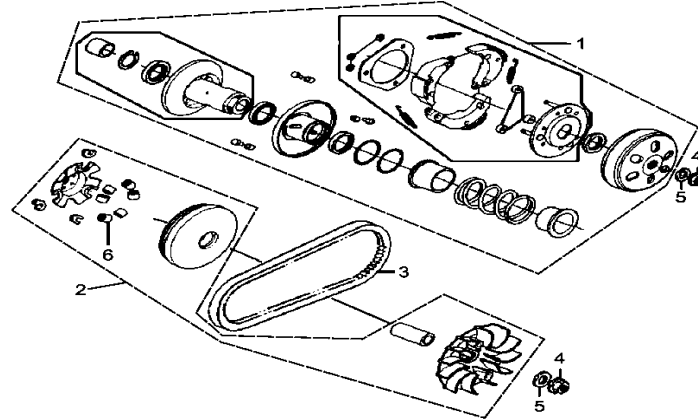


S.NO.	PART CODE	DESCRIPTION	QUANTITY
A7 - 16	90032-GY57-0000	STUD M8*195.5	2
A7 - 17	90031-GY57-0000	STUD M8*187.5	2
A7 - 18	96001-06050-000	FLANGE BOLT M6*50	2
A7 - 19	90521-GY57-0000	WASHER Φ 12	1



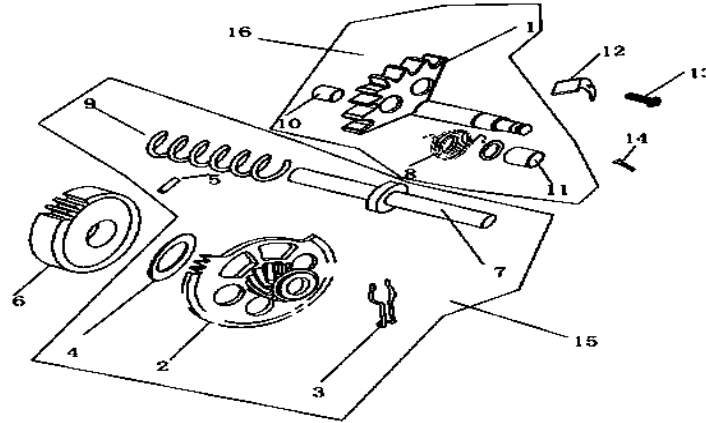
S.NO.	PART CODE	DESCRIPTION	QUANTITY
A8 - 1	96001-06012-080	FLANGE BOLT M6*12	2
A8 - 2	15711-GY57-0000	OIL SEPARATOR	1
A8 - 3	94050-06080-000	FLANGE NUT M6	1
A8 - 4	15133-GY57-0000	DRIVING GEAR,OIL PUMP	1
A8 - 5	15141-GY57-0000	DRIVING CHAIN,OIL PUMP	1
A8 - 6	15101-GY57-0000	SHAFT, OIL PUMP	1
A8 - 7	96001-06025-080	FLANGE BOLT M6*25	2
A8 - 8	15100-GY57-0000	OIL PUMP ASSY	1

A9 - DRIVEN PULLEY ASSY



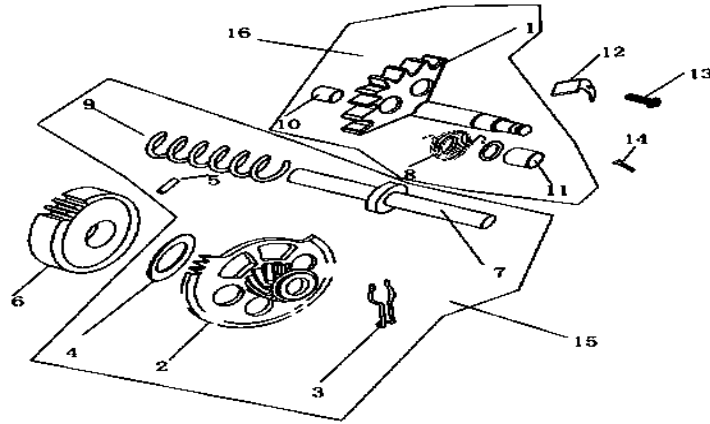
S.NO.	PART CODE	DESCRIPTION	QUANTITY
A9 - 1	2301A-GY57-0000	DRIVEN PULLEY COMP	1
A9 - 2	2210A-GY57-0000	DRIVING DISK ASSY	1
A9 - 3	23100-GY57-0000	DRIVING BELT	1
A9 - 4	94050-12080-000	FLANGE NUT M12	2
A9 - 5	90441-GY57-0000	WASHER Φ 12	2
A9 - 6	22121-GY57-0000	WEIGHT ROLLER	6

A10 - KICK STARTER ASSY



S.NO.	PART CODE	DESCRIPTION	QUANTITY
A10 - 1	28250-GY57-0000	AXLE, KICK STARTER	1
A10 - 2	28231-GY57-0000	WHEEL, IDLE GEAR	1
A10 - 3	28232-GY57-0000	CLIP, IDLE WHEEL	1
A10 - 4	28233-12022-160	PLASTIC WASHER 12*22*1.6	1
A10 - 5	94301-03085-000	PIN 3*8.5	1
A10 - 6	28220-GY57-0000	DRIVEN GEAR	1
A10 - 7	28234-GY57-0000	AXLE, IDLE WHEEL	1
A10 - 8	28251-GY57-0000	RETURN SPRING,KICK STARTER AXLE	1
A10 - 9	28235-GY57-0000	SPRING, IDLE WHEEL AXLE	1
A10 - 10	28252-GY57-0000	BUSH 1,KICK STARTER AXLE	1
A10 - 11	28253-GY57-0000	BUSH 2,KICK STARTER AXLE	1
A10 - 12	28254-GY57-0000	LOCK PLATE	1
A10 - 13	96001-06014-000	FLANGE BOLT M6*14	1
A10 - 14	95701-06022-000	HEX.BOLT M6*22	1
A10 - 15	2820B-GY57-0000	IDLE WHEEL AXLE ASSY	1

A10 - KICK STARTER ASSY

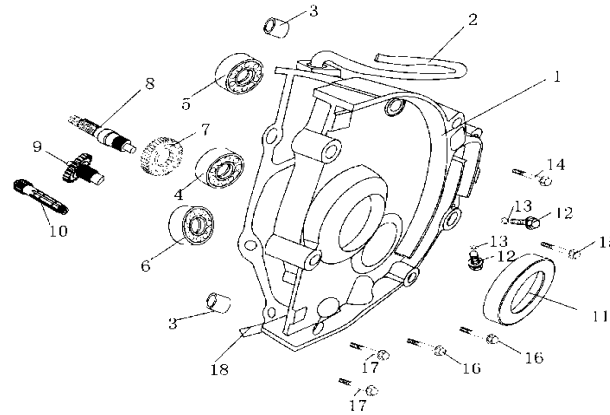


S.NO.	PART CODE
A10 - 16	2820A-GY57-0000

DESCRIPTION
STARTER AXLE ASSY

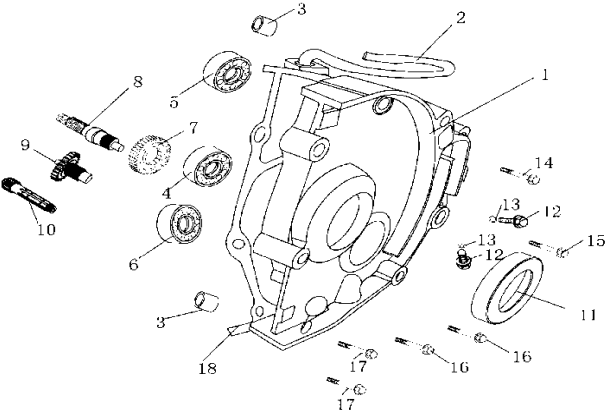
QUANTITY
1

A11 - GEAR SHAFT ASSY



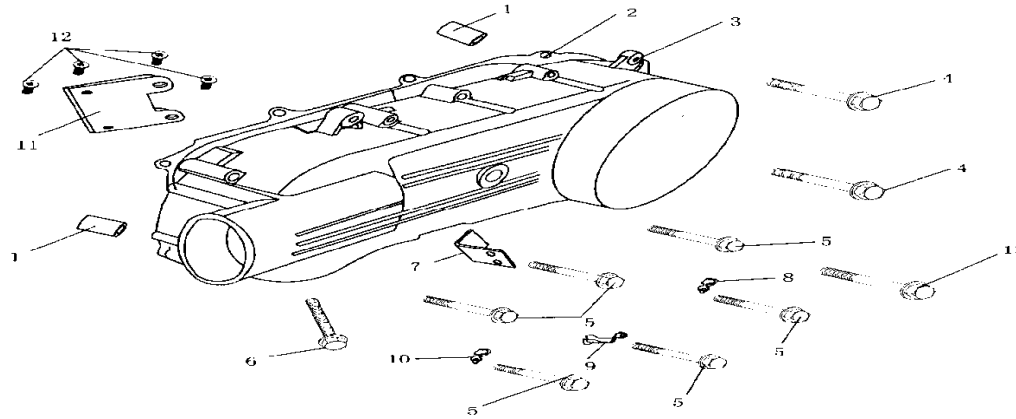
S.NO.	PART CODE	DESCRIPTION	QUANTITY
A11 - 1	21200-GY57-0000	GEARBOX COVER	1
A11 - 2	11221-GY57-0000	VENT PIPE,GEARBOX	1
A11 - 3	94301-08140-000	DOWEL PIN 8*14	2
A11 - 4	96100-62040-000	BEARING 6204	1
A11 - 5	96100-62020-000	BEARING 6202	1
A11 - 6	96100-62030-000	BEARING 6203	1
A11 - 7	23432-GY57-0000	DRIVEN GEAR	1
A11 - 8	23431-GY57-0000	DRIVEN SHAFT(LONG)	1
A11 - 9	23420-GY57-0000	COUNTERSHAFT	1
A11 - 10	23411-GY57-0000	DRIVE SHAFT	1
A11 - 11	91202-GY57-0000	OIL SEAL 20*32*6	1
A11 - 12	95701-08012-000	FLANGE BOLT M8*12	2
A11 - 13	90474-GY57-0000	GASKET Ø8	2
A11 - 14	96001-06028-000	FLANGE BOLT M6*28	1
A11 - 15	96001-06035-000	FLANGE BOLT M6*35	1

A11 - GEAR SHAFT ASSY



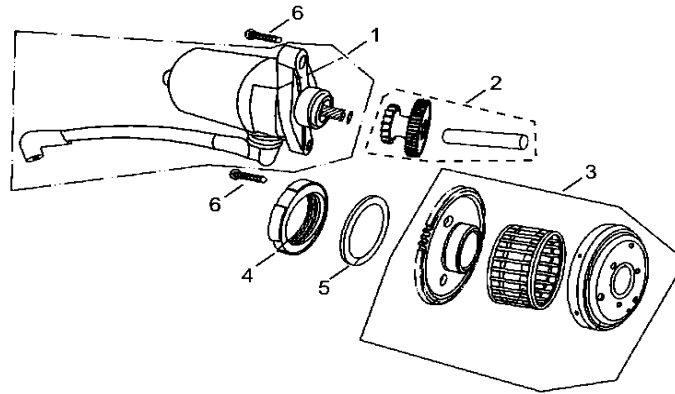
S.NO.	PART CODE	DESCRIPTION	QUANTITY
A11 - 16	96001-06035-000	FLANGE BOLT M6*35	2
A11 - 17	96001-06035-000	FLANGE BOLT M6*28	2
A11 - 18	21395-GY57-0000	GASKET,GEARBOX COVER	1

A12 - LEFT CRANK CASE COVER



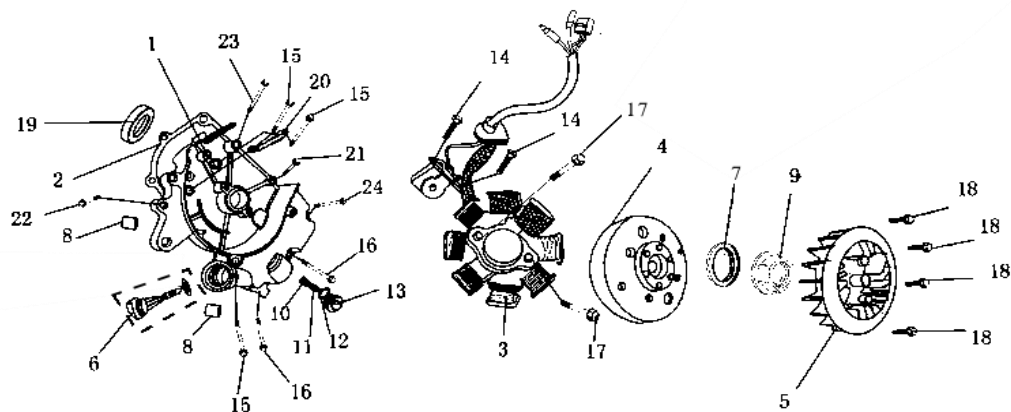
S.NO.	PART CODE	DESCRIPTION	QUANTITY
A12 - 1	94301-08140-000	DOWEL PIN 8*14	2
A12 - 2	11395-GY57-0000	GASKET, LEFT CRANKCASE COVER	1
A12 - 3	11341-GY57-0000	LEFT CRANKCASE COVER	1
A12 - 4	96001-06065-080	FLANGE BOLT M6*65	2
A12 - 5	96001-06040-080	FLANGE BOLT M6*40	7
A12 - 6	96001-06012-080	FLANGE BOLT M6*12	1
A12 - 7	11382-GY57-0000	MAIN STAND PLATE	1
A12 - 8	11384-GY57-0000	CLAMP, BRAKE CABLE	1
A12 - 9	11385-GY57-0000	CLAMP, THROTTLE CABLE	1
A12 - 10	11381-GY57-0000	CLAMP	1
A12 - 11	11386-GY57-0000	BRACKET, VENT GUIDE	1
A12 - 12	11387-GY57-0000	SCREW M4*8	4

A13 - STARTING MOTOR ASSY



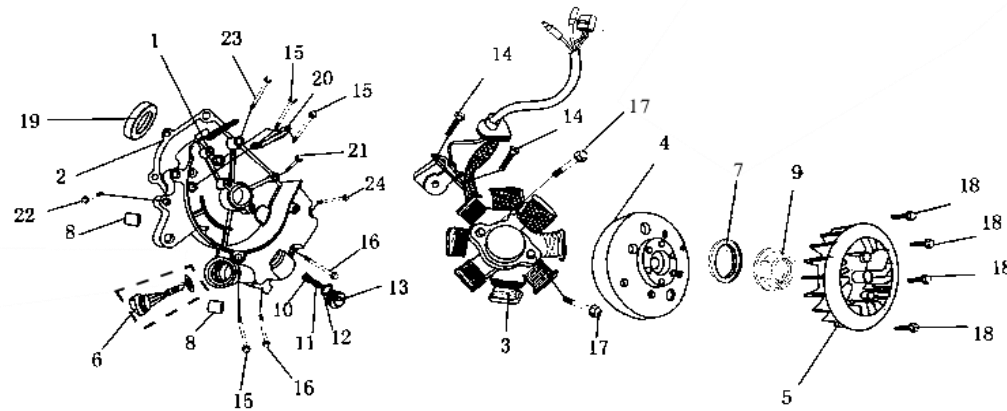
S.NO.	PART CODE	DESCRIPTION	QUANTITY
A13 - 1	31210-GY57-0000	STARTING MOTOR ASSY	1
A13 - 2	28101-GY57-0000	GEAR,REDUCTION	1
A13 - 3	2810A-GY57-0000	STARTING CLUTCH ASSY	1
A13 - 4	90201-GY57-0220	LOCKNUT M22	1
A13 - 5	90403-GY57-0000	WASHER Φ 22	1
A13 - 6	96001-06016-000	FLANGE BOLT M6*16	2

A14 - MAGNETO ASSY



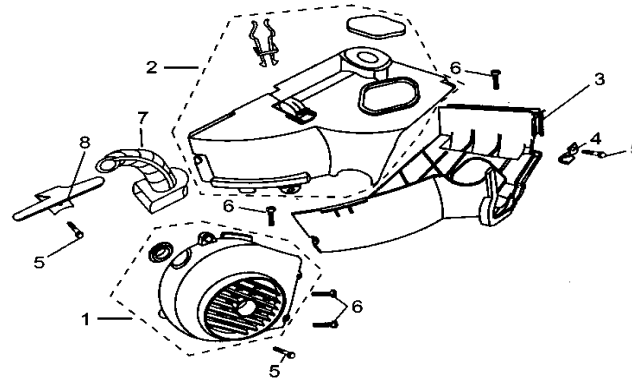
S.NO.	PART CODE	DESCRIPTION	QUANTITY
A14 - 1	11331-GY57-0000	RIGHT CRANKCASE COVER	1
A14 - 2	11394-GY57-0000	GASKET, RIGHT CRANKCASE COVER	1
A14 - 3	31120-GY57-0080	STATOR, MAGNETO (11 COIL)	1
A14 - 4	31110-GY57-0080	FLY WHEEL COMP (11 COIL)	1
A14 - 5	19510-GY57-0000	COOLING FAN	1
A14 - 6	1565A-GY57-0000	DIPSTICK OIL GAUGE (WITH O-RING)	1
A14 - 7	90440-GY57-0000	WASHER Φ 12	1
A14 - 8	94301-08014-000	DOWEL PIN 8*14	2
A14 - 9	94050-12080-000	FLANGE NUT M12	1
A14 - 10	15421-GY57-0000	OIL FILTER	1
A14 - 11	15426-GY57-0000	SPRING,OIL FILTER	1
A14 - 12	91302-GY57-0000	O-RING 30.8*3	1
A14 - 13	12361-GY57-0000	DRAIN PLUG	1
A14 - 14	90101-05012-000	FLANGE BOLT M5*12	2
A14 - 15	96001-06095-080	FLANGE BOLT M6*95	3

A14 - MAGNETO ASSY



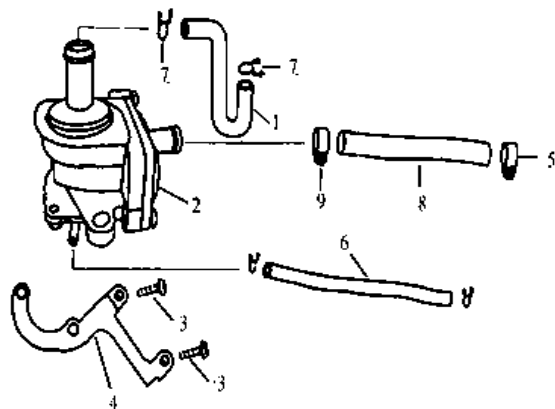
S.NO.	PART CODE	DESCRIPTION	QUANTITY
A14 - 16	96001-06110-080	FLANGE BOLT M6*110	2
A14 - 17	96001-06022-080	FLANGE BOLT M6*22	2
A14 - 18	96001-06018-080	FLANGE BOLT M6*18	4
A14 - 19	91201-19830-050	OIL SEAL 19.8*30*5	1
A14 - 20	32961-GY57-0000	CLAMP,MAGNETO	1
A14 - 21	96001-06032-080	FLANGE BOLT M6*32	1
A14 - 22	96101-06035-000	FLANGE BOLT M6*35	1
A14 - 23	96001-06100-080	FLANGE BOLT M6*100	1
A14 - 24	96001-06095-080	FLANGE BOLT M6*95	1

A15 - FAN COVER ASSY



S.NO.	PART CODE	DESCRIPTION	QUANTITY
A15 - 1	1961A-GY57-0000	COOLING FAN COVER (WITH RUBBER PLUG)	1
A15 - 2	1963A-GY57-0000	UPPER COVER (WITH GASKET)	1
A15 - 3	1962A-GY57-0000	LOWER COVER (WITH GASKET)	1
A15 - 4	19621-GY57-0000	CLAMP	1
A15 - 5	96001-06025-080	FLANGE BOLT M6*25	3
A15 - 6	19635-GY57-0000	CROSS HEAD SCREW M5*16	4
A15 - 7	19611-GY57-0000	COOLING TUBE,CARBURETOR	1
A15 - 8	19634-GY57-0000	CLAMP	1

A16 - SECONDARY AIR VALVE ASSY




S.NO.	PART CODE	DESCRIPTION	QUANTITY
A16 - 1	18656-GT10-0000	JOINT PIPE, AIR FILTER	1
A16 - 2	1880A-GT10-0000	VALVE, SECONDARY AIR	1
A16 - 3	96001-06018-000	FLANGE BOLT M6 X 18	2
A16 - 4	18136-GT10-0000	BRACKET, SECONDARY AIR VALVE	1
A16 - 5	95002-GT10-0000	TUBE CLIP 17MM	2
A16 - 6	18657-GT10-0000	VACUUM PIPE	1
A16 - 7	95002-18000-000	TUBE CLAMP	2
A16 - 8	18658-GT10-000	JOINT PIPE	1
A16 - 9	95002-15000-000	TUBE CLIP 15MM	1



Raybar

www.raybarmotorcycles.com

 /raybarmoto